

## Data Sheet

**Customer:**

**Product:** SMD Power Inductor – PD Series

**Sizes.:** 1608/3308/3316/3340/5022

**Issued Date:** 05-Jan-18

**Edition:** REV.B9



VIKING TECH CORPORATION  
光韻科技股份有限公司  
No.70, Guangfu N. Rd., Hukou  
Township, Hsinchu County  
303, Taiwan (R.O.C)

TEL:886-3-5972931  
FAX:886-3-5972935•886-3-5973494  
E-mail:sales@viking.com.tw

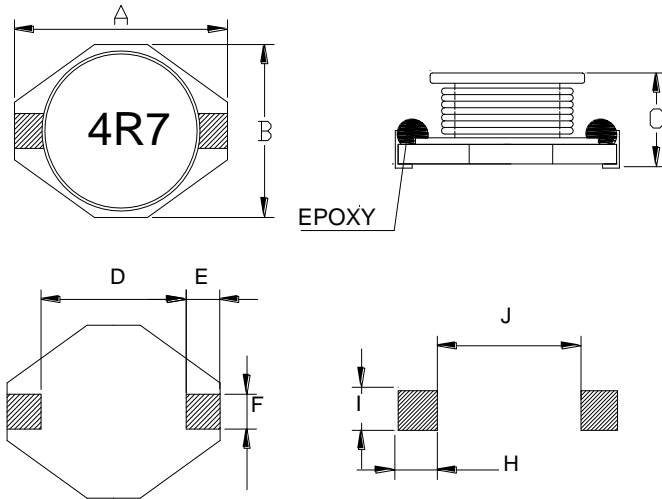
VIKING TECH CORPORATION KAOHSIUNG BRANCH  
光韻科技股份有限公司高雄分公司  
No.248-3, Sin-Sheng Rd., Cian-Jhen Dist., Kaohsiung,  
806, Taiwan

TEL:886-7-8217999  
FAX:886-7-8228229  
E-mail:sales@viking.com.tw

VIKING ELECTRONICS (WUXI) CO., LTD.  
光韻電子(無錫)有限公司  
No.22 Xixia Road, Machinery & Industry Park,  
National Hi-Tech Industrial Development Zone  
of Wuxi, Wuxi, Jiangsu Province, China  
Zip Code:214028  
TEL:86-510-85203339  
FAX:86-510-85203667•86-510-85203977  
E-mail:china@viking.com.tw

Produced by (QC)	Checked (QC)	Approved by (QC)	Prepared by (Sales)	Accepted by (Customer)
05-Jan-18	05-Jan-18	05-Jan-18	05-Jan-18	
<i>Kris Chen</i>	<i>Ben Chang</i>	<i>Ben Chang</i>		

### SMD Power Inductor



#### Features

- High power, High saturation inductors
- Ideal inductors for DC-DC converters in notebook computer, PDAs, Step-up or step-down converters, flash memory programmers, etc.
- PD1608 used ceramic base with gold-plating
- The others used LCP plastic base

#### Dimensions

Unit: mm

Type	A max.	B max.	C max.	D	E	F	H	I	J
PD1608	6.60	4.45	2.92	4.32	1.02	1.27	1.40	3.56	4.06
PD3308	12.95	9.40	3.00	7.62	2.54	2.54	2.79	2.92	7.37
PD3316	12.95	9.40	5.21	7.62	2.54	2.54	2.79	2.92	7.37
PD3340	12.95	9.40	11.43	7.62	2.54	2.54	2.79	2.92	7.37
PD5022	18.54	15.24	7.11	12.7	2.54	2.54	2.79	2.92	12.45

#### Applications

- Portable Telephones
- Personal Computers
- DC/DC Converters, etc.
- Other Various Electronic Appliances

#### Inductance and rated current ranges

- PD1608 1.0μH~1000μH 2.9~0.10A
- PD3308 1.0μH~1000μH 5.15~0.10A
- PD3316 0.68μH~1000μH 11~0.35A
- PD3340 0.47μH~1000μH 20~0.8A
- PD5022 1.0μH~1000μH 20~1.0A

#### Characteristics

- Saturation Rated Current: The current when the inductance becomes 10% lower than its initial value. (Ta=25°C)
- Operating temperature range: -40~125°C

- Test equipment:

- L: HP4284A LCR meter
- DCR: Milli-ohm meter

- Electrical specifications at 25°C

#### Product Identification

PD	1608	M	T	101
Product Type	Dimensions (AxBxC)	Inductor Tolerance	Packaging Style	Inductance
	1608: 6.60x4.45x2.92 3308: 12.95x9.40x3.00 3316: 12.95x9.40x5.21 3340: 12.95x9.40x11.43 5022: 18.54x15.24x7.11	M: ±20%	T: Tape and Reel	1R0: 1.0μH 470: 47μH 101: 100μH

**Electrical Characteristics**

PD1608 Type(□:Tolerance):

Part No	L (μH)	Tolerance	Test Condition	DCR (Ω) max.	IDC (A) max.
PD1608□T1R0	1.0	M	100KHz, 0.1V	0.05	2.90
PD1608□T1R5	1.5	M	100KHz, 0.1V	0.06	2.60
PD1608□T2R2	2.2	M	100KHz, 0.1V	0.07	2.30
PD1608□T3R3	3.3	M	100KHz, 0.1V	0.08	2.00
PD1608□T4R7	4.7	M	100KHz, 0.1V	0.09	1.50
PD1608□T6R8	6.8	M	100KHz, 0.1V	0.13	1.20
PD1608□T8R2	8.2	M	100KHz, 0.1V	0.16	1.15
PD1608□T100	10	M	100KHz, 0.1V	0.16	1.10
PD1608□T150	15	M	100KHz, 0.1V	0.23	0.90
PD1608□T220	22	M	100KHz, 0.1V	0.37	0.70
PD1608□T330	33	M	100KHz, 0.1V	0.51	0.58
PD1608□T470	47	M	100KHz, 0.1V	0.64	0.50
PD1608□T680	68	M	100KHz, 0.1V	0.86	0.40
PD1608□T101	100	M	100KHz, 0.1V	1.27	0.31
PD1608□T151	150	M	100KHz, 0.1V	2.00	0.27
PD1608□T221	220	M	100KHz, 0.1V	3.11	0.22
PD1608□T331	330	M	100KHz, 0.1V	3.80	0.18
PD1608□T471	470	M	100KHz, 0.1V	6.00	0.14
PD1608□T681	680	M	100KHz, 0.1V	10.5	0.12
PD1608□T102	1000	M	100KHz, 0.1V	13.8	0.10

PD3308 Type(□:Tolerance)

Part No	L (μH)	Tolerance	Test Condition	DCR (Ω) max.	IDC (A) max.
PD3308□T1R0	1.0	M	100KHz, 0.1V	0.024	5.15
PD3308□T4R7	4.7	M	100KHz, 0.1V	0.036	4.20
PD3308□T6R8	6.8	M	100KHz, 0.1V	0.060	3.90
PD3308□T8R2	8.2	M	100KHz, 0.1V	0.080	2.42
PD3308□T100	10	M	100KHz, 0.1V	0.110	2.40
PD3308□T150	15	M	100KHz, 0.1V	0.120	2.30
PD3308□T220	22	M	100KHz, 0.1V	0.180	1.80
PD3308□T330	33	M	100KHz, 0.1V	0.250	1.60
PD3308□T470	47	M	100KHz, 0.1V	0.320	1.30
PD3308□T680	68	M	100KHz, 0.1V	0.540	1.10
PD3308□T101	100	M	100KHz, 0.1V	0.690	0.87
PD3308□T151	150	M	100KHz, 0.1V	0.940	0.74
PD3308□T221	220	M	100KHz, 0.1V	1.600	0.56
PD3308□T331	330	M	100KHz, 0.1V	2.150	0.50
PD3308□T471	470	M	100KHz, 0.1V	3.300	0.40
PD3308□T681	680	M	100KHz, 0.1V	4.400	0.33
PD3308□T821	820	M	100KHz, 0.1V	5.800	0.15
PD3308□T102	1000	M	100KHz, 0.1V	8.400	0.10

**Electrical Characteristics**

PD3316 Type(□:Tolerance)

Part No	L (μH)	Tolerance	Test Condition	DCR (Ω) max.	IDC (A) max.
PD3316□TR68	0.68	M	100KHz, 0.1V	0.008	11.0
PD3316□T1R0	1.0	M	100KHz, 0.1V	0.009	9.00
PD3316□T1R2	1.2	M	100KHz, 0.1V	0.010	8.50
PD3316□T1R5	1.5	M	100KHz, 0.1V	0.010	8.00
PD3316□T1R8	1.8	M	100KHz, 0.1V	0.011	7.50
PD3316□T2R2	2.2	M	100KHz, 0.1V	0.012	7.10
PD3316□T2R7	2.7	M	100KHz, 0.1V	0.014	6.60
PD3316□T3R3	3.3	M	100KHz, 0.1V	0.015	6.50
PD3316□T4R7	4.7	M	100KHz, 0.1V	0.018	5.50
PD3316□T5R6	5.6	M	100KHz, 0.1V	0.025	4.80
PD3316□T6R8	6.8	M	100KHz, 0.1V	0.027	4.70
PD3316□T8R2	8.2	M	100KHz, 0.1V	0.036	4.10
PD3316□T100	10	M	100KHz, 0.1V	0.038	3.90
PD3316□T120	12	M	100KHz, 0.1V	0.044	3.30
PD3316□T150	15	M	100KHz, 0.1V	0.046	3.10
PD3316□T180	18	M	100KHz, 0.1V	0.066	2.80
PD3316□T220	22	M	100KHz, 0.1V	0.085	2.60
PD3316□T270	27	M	100KHz, 0.1V	0.095	2.10
PD3316□T330	33	M	100KHz, 0.1V	0.100	2.00
PD3316□T390	39	M	100KHz, 0.1V	0.130	1.80
PD3316□T470	47	M	100KHz, 0.1V	0.140	1.70
PD3316□T560	56	M	100KHz, 0.1V	0.190	1.60
PD3316□T680	68	M	100KHz, 0.1V	0.200	1.50
PD3316□T820	82	M	100KHz, 0.1V	0.260	1.30
PD3316□T101	100	M	100KHz, 0.1V	0.280	1.25
PD3316□T101-1	100	K	100KHz, 0.1V	0.280	1.50
PD3316□T121	120	M	100KHz, 0.1V	0.360	1.05
PD3316□T151	150	M	100KHz, 0.1V	0.400	1.05
PD3316□T181	180	M	100KHz, 0.1V	0.540	0.85
PD3316□T221	220	M	100KHz, 0.1V	0.610	0.82
PD3316□T271	270	M	100KHz, 0.1V	0.840	0.65
PD3316□T331	330	M	100KHz, 0.1V	1.020	0.62
PD3316□T391	390	M	100KHz, 0.1V	1.250	0.55
PD3316□T471	470	M	100KHz, 0.1V	1.270	0.52
PD3316□T561	560	M	100KHz, 0.1V	1.850	0.45
PD3316□T681	680	M	100KHz, 0.1V	2.020	0.42
PD3316□T821	820	M	100KHz, 0.1V	2.530	0.38
PD3316□T102	1000	M	100KHz, 0.1V	3.000	0.35
PD3316□T102-2	1000	K	1KHz, 0.25V	3.900	0.35
PD3316□T152-1	1500	K	1KHz, 0.25V	6.300	0.30
PD3316□T222-1	2200	K	1KHz, 0.25V	8.200	0.24
PD3316□T103-1	10000	M	1KHz, 0.25V	39.00	0.10

**Electrical Characteristics**

PD3340 Type(□:Tolerance)

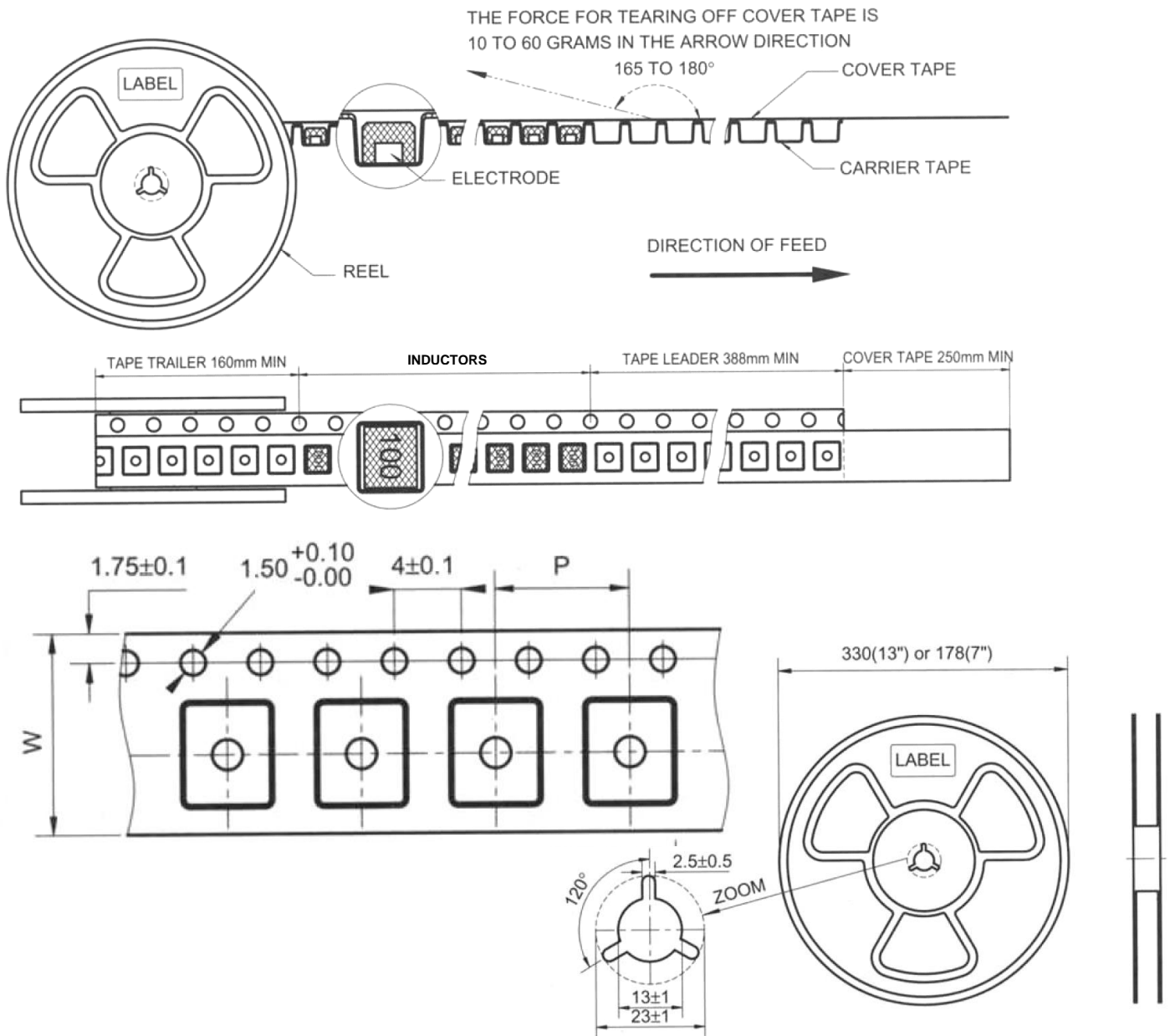
Part No	L (μH)	Tolerance	Test Condition	DCR (Ω) max.	IDC (A) max.
PD3340□TR47	0.47	M	100KHz, 0.1V	0.008	20.0
PD3340□TR82	0.82	M	100KHz, 0.1V	0.009	20.0
PD3340□T1R2	1.2	M	100KHz, 0.1V	0.010	20.0
PD3340□T1R5	1.5	M	100KHz, 0.1V	0.010	20.0
PD3340□T2R2	2.2	M	100KHz, 0.1V	0.012	18.5
PD3340□T3R5	3.5	M	100KHz, 0.1V	0.015	18.0
PD3340□T4R7	4.7	M	100KHz, 0.1V	0.020	13.0
PD3340□T5R6	5.6	M	100KHz, 0.1V	0.022	12.0
PD3340□T6R8	6.8	M	100KHz, 0.1V	0.030	10.0
PD3340□T8R2	8.2	M	100KHz, 0.1V	0.033	9.00
PD3340□T100	10	M	100KHz, 0.1V	0.040	8.00
PD3340□T120	12	M	100KHz, 0.1V	0.042	7.20
PD3340□T150	15	M	100KHz, 0.1V	0.050	7.00
PD3340□T180	18	M	100KHz, 0.1V	0.052	5.70
PD3340□T220	22	M	100KHz, 0.1V	0.066	5.50
PD3340□T270	27	M	100KHz, 0.1V	0.072	4.20
PD3340□T330	33	M	100KHz, 0.1V	0.080	4.00
PD3340□T390	39	M	100KHz, 0.1V	0.092	3.90
PD3340□T470	47	M	100KHz, 0.1V	0.110	3.80
PD3340□T560	56	M	100KHz, 0.1V	0.150	3.20
PD3340□T680	68	M	100KHz, 0.1V	0.170	3.00
PD3340□T820	82	M	100KHz, 0.1V	0.200	2.60
PD3340□T101	100	M	100KHz, 0.1V	0.220	2.50
PD3340□T121	120	M	100KHz, 0.1V	0.320	2.20
PD3340□T151	150	M	100KHz, 0.1V	0.340	2.00
PD3340□T181	180	M	100KHz, 0.1V	0.420	1.80
PD3340□T221	220	M	100KHz, 0.1V	0.440	1.60
PD3340□T271	270	M	100KHz, 0.1V	0.600	1.30
PD3340□T331	330	M	100KHz, 0.1V	0.700	1.20
PD3340□T391	390	M	100KHz, 0.1V	0.850	1.10
PD3340□T471	470	M	100KHz, 0.1V	0.950	1.00
PD3340□T561	560	M	100KHz, 0.1V	1.100	1.00
PD3340□T681	680	M	100KHz, 0.1V	1.200	1.00
PD3340□T821	820	M	100KHz, 0.1V	1.500	0.82
PD3340□T102	1000	M	100KHz, 0.1V	2.000	0.80

**Electrical Characteristics**

PD5022 Type(□:Tolerance)

Part No	L (μH)	Tolerance	Test Condition	DCR (Ω) max.	IDC (A) max.
PD5022□T1R0	1.0	M	100KHz, 0.1V	0.009	20.00
PD5022□T2R2	2.2	M	100KHz, 0.1V	0.014	16.00
PD5022□T3R3	3.3	M	100KHz, 0.1V	0.018	14.00
PD5022□T4R7	4.7	M	100KHz, 0.1V	0.019	13.00
PD5022□T5R6	5.6	M	100KHz, 0.1V	0.020	12.00
PD5022□T6R8	6.8	M	100KHz, 0.1V	0.022	10.60
PD5022□T8R2	8.2	M	100KHz, 0.1V	0.024	10.30
PD5022□T100	10	M	100KHz, 0.1V	0.031	10.00
PD5022□T120	12	M	100KHz, 0.1V	0.034	8.20
PD5022□T150	15	M	100KHz, 0.1V	0.036	8.00
PD5022□T180	18	M	100KHz, 0.1V	0.045	7.20
PD5022□T220	22	M	100KHz, 0.1V	0.047	7.00
PD5022□T270	27	M	100KHz, 0.1V	0.056	5.80
PD5022□T330	33	M	100KHz, 0.1V	0.066	5.50
PD5022□T390	39	M	100KHz, 0.1V	0.080	4.60
PD5022□T470	47	M	100KHz, 0.1V	0.095	4.50
PD5022□T560	56	M	100KHz, 0.1V	0.128	3.70
PD5022□T680	68	M	100KHz, 0.1V	0.130	3.50
PD5022□T820	82	M	100KHz, 0.1V	0.180	3.10
PD5022□T101	100	M	100KHz, 0.1V	0.190	3.00
PD5022□T121	120	M	100KHz, 0.1V	0.240	2.80
PD5022□T151	150	M	100KHz, 0.1V	0.250	2.60
PD5022□T181	180	M	100KHz, 0.1V	0.360	2.50
PD5022□T221	220	M	100KHz, 0.1V	0.380	2.40
PD5022□T271	270	M	100KHz, 0.1V	0.520	2.00
PD5022□T331	330	M	100KHz, 0.1V	0.560	1.90
PD5022□T391	390	M	100KHz, 0.1V	0.720	1.50
PD5022□T471	470	M	100KHz, 0.1V	0.850	1.40
PD5022□T561	560	M	100KHz, 0.1V	1.080	1.30
PD5022□T681	680	M	100KHz, 0.1V	1.100	1.20
PD5022□T821	820	M	100KHz, 0.1V	1.600	1.03
PD5022□T102	1000	M	100KHz, 0.1V	1.800	1.00

■Tape and Reel specifications



Unit: mm

Type	Tape size		Parts Per Reel
	W	P	13"
PD1608	16	8	2000
PD3308	24	12	1000
PD3316	24	12	1000
PD3340	24	16	225
PD5022	32	20	250

**■ SMT Power Inductor Environmental Specifications**

General

Items	Specifications
Shelf Storage conditions	Temperature range: 15~28°C; Humidity: <80% relative humidity. Recommended product should be used within one year from the time of delivery.

Environmental test

Test Items	Specifications	Test Conditions / Test Methods
High temperature Storage test	No case deformation or change in appearance. $\Delta L/L \leq 10\%$	Temperature 85±2°C, Time: 96±2 hours, Tested after 1hour at room temperature.
Low temperature Storage test		Temperature -25±2°C, Time: 96±2 hours, Tested after 1hour at room temperature.
Humidity test		Temperature 40±2°C, 90~95% relative humidity Time: 96±2 hours, Tested after 1hour at room temperature.
Thermal shock test		First -25°C 30minutes then 25°C 10 minutes last 85°C 30 minutes, as 1 cycle. Go through 5 cycles. Tested after 1 hour at room temperature.

Mechanical test

Test Items	Specifications	Test Conditions / Test Methods
Solderability test	Terminal area must have 90% minimum solder coverage.	Product with Lead-free terminal: Dip pads in flux then dip in solder pot at 245±5°C for 3 seconds.
Resistance to Soldering Heat	No case deformation or change in appearance.	Flux should cover the whole of the sample before heating, then be preheated for about 2 minutes over temperature of 130~150°C. Immersing to 260±5°C for 10 seconds.
Vibration test	No case deformation or change in appearance.	Apply frequency 10~55Hz. 1.5mm amplitude in each of perpendicular direction for 2 hours.
Shock resistance	$\Delta L/L \leq 10\%$	Drop down with 981m/s <sup>2</sup> (100G) shock attitude upon a rubber block method shock testing machine, for 1 time. In each of three orientations.

The condition of reflow (recommendation):

